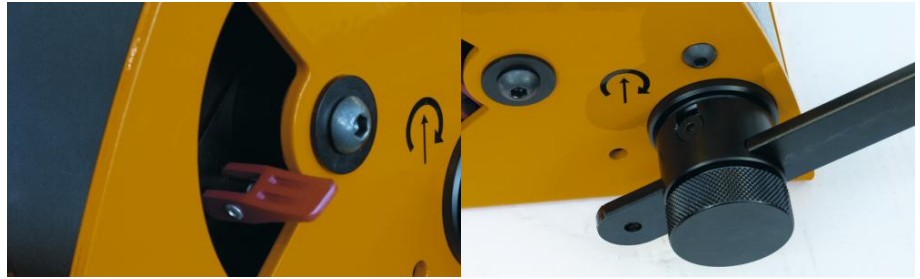


## MANIBOX GR 500 kg - model with stainless steel frame



Hand spurgear winch 500 kg, model with stainless steel frame.

Use:

- Lifting or pulling/hauling operation
- Walle-mounted or flat
- Industry
- Auditoriums, theatre scenery
- Water treatment, water dams
- Sports rooms
- Hanging chandeliers...

Comply with Machines Directive 2006/42/EC. Developed and manufactured in accordance with standard NF E N 13157.

### Technical properties

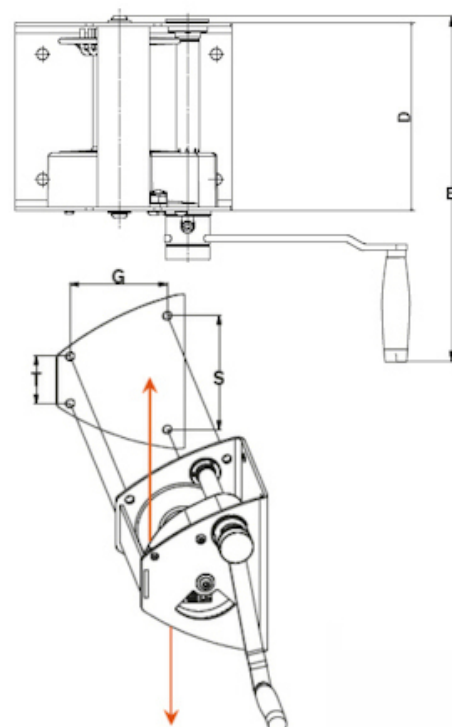
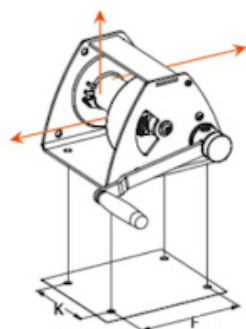
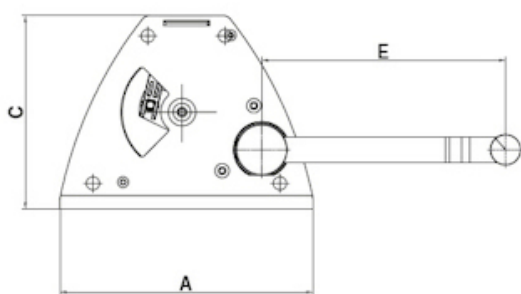
- Mechanical parts machined and protected by cataphoresis.
- Stainless steel ratchet spring.
- Straight-cut gears.
- Automatic brake made of composite materials.
- Disengageable drum, no load only, associated with a failsafe system in the rope wind direction (patented).
- Reduction system fully protected by a metal or plastic cover providing maximum safety.
- Ergonomic and removable crank handle with rotating grip. This crank arm can be adjusted to minimise effort according to the loads.
- Captive crank adjusting knob.
- Finition: stainless steel frame.

## Technical characteristics of MANIBOX GR 500 kg - model with stainless steel frame

|                               |      |
|-------------------------------|------|
| Capacity 1st layer kg         | 750  |
| Capacity top layer kg         | 500  |
| Nb of layers                  | 4    |
| Wire rope cap. 1st layer m    | 3    |
| Wire rope cap. top layer m    | 18   |
| Wire rope Ø mm                | 7    |
| Weight (without wire rope) kg | 15   |
| Lift per crank revolution mm  | 31.5 |
| Max. hand force on crank kg   | 19   |

## Dimensions

|      |     |
|------|-----|
| A mm | 249 |
| B mm | 400 |
| C mm | 190 |
| D mm | 217 |
| E mm | 240 |
| F mm | 200 |
| G mm | 145 |
| K mm | 144 |
| S mm | 184 |
| T mm | 76  |



## Technical characteristics of the other models of the range

| References                    | GR300MANIBOX | GR530PREM | GR500MANIBOX | GR750PREM | GR1000MANIBOX |
|-------------------------------|--------------|-----------|--------------|-----------|---------------|
| Capacity 1st layer kg         | 500          | 530       | 750          | 750       | 1450          |
| Capacity top layer kg         | 300          | 530       | 500          | 750       | 1000          |
| Nb of layers                  | 6            | 1         | 4            | 1         | 4             |
| Wire rope cap. 1st layer m    | 4            | 4         | 3            | 3         | 5.5           |
| Wire rope cap. top layer m    | 38           | 4         | 18           | 3         | 30            |
| Wire rope Ø mm                | 5            | 6         | 7            | 7         | 9             |
| Weight (without wire rope) kg | 15           | 15        | 15           | 15        | 44            |
| Lift per crank revolution mm  | 30.5         | 30.5      | 31.5         | 31.5      | 16            |
| Max. hand force on crank kg   | 12.5         | 12.5      | 12.5         | 19        | 14.5          |

| References                    | GR1450PREM | GR2000MANIBOX | GR2750PREM | GR300GALVA | GR530PREMGALVA |
|-------------------------------|------------|---------------|------------|------------|----------------|
| Capacity 1st layer kg         | 1450       | 2750          | 2750       | 500        | 530            |
| Capacity top layer kg         | 1450       | 2000          | 2750       | 300        | 530            |
| Nb of layers                  | 1          | 3             | 1          | 6          | 1              |
| Wire rope cap. 1st layer m    | 5          | 6             | 6          | 4          | 4              |
| Wire rope cap. top layer m    | 5          | 25            | 6          | 38         | 4              |
| Wire rope Ø mm                | 10         | 13            | 13         | 5          | 6              |
| Weight (without wire rope) kg | 44         | 83            | 83         | 15         | 15             |
| Lift per crank revolution mm  | 16         | 9.5           | 9.5        | 30.5       | 30.5           |
| Max. hand force on crank kg   | 14.5       | 16.5          | 16.5       | 12.5       | 12.5           |

| References                    | GR500GALVA | GR750PREMGALVA | GR1000GALVA | GR1450PREMGALVA | GR2000GALVA |
|-------------------------------|------------|----------------|-------------|-----------------|-------------|
| Capacity 1st layer kg         | 750        | 750            | 1450        | 1450            | 2750        |
| Capacity top layer kg         | 500        | 750            | 1000        | 1450            | 2000        |
| Nb of layers                  | 4          | 1              | 4           | 1               | 3           |
| Wire rope cap. 1st layer m    | 3          | 3              | 5.5         | 5               | 6           |
| Wire rope cap. top layer m    | 18         | 3              | 30          | 5               | 25          |
| Wire rope Ø mm                | 7          | 7              | 9           | 10              | 13          |
| Weight (without wire rope) kg | 15         | 15             | 44          | 44              | 83          |
| Lift per crank revolution mm  | 31.5       | 31.5           | 16          | 16              | 9.5         |
| Max. hand force on crank kg   | 19         | 19             | 14.5        | 14.5            | 16.5        |

| References                    | GR2750PREMGALVA | GR300INOX | GR530PREMINOX | GR500INOX   | GR750PREMINOX |
|-------------------------------|-----------------|-----------|---------------|-------------|---------------|
| Capacity 1st layer kg         | 2750            | 500       | 530           | <b>750</b>  | 750           |
| Capacity top layer kg         | 2750            | 300       | 530           | <b>500</b>  | 750           |
| Nb of layers                  | 1               | 6         | 1             | <b>4</b>    | 1             |
| Wire rope cap. 1st layer m    | 6               | 4         | 4             | <b>3</b>    | 3             |
| Wire rope cap. top layer m    | 6               | 38        | 4             | <b>18</b>   | 3             |
| Wire rope Ø mm                | 13              | 5         | 6             | <b>7</b>    | 7             |
| Weight (without wire rope) kg | 83              | 15        | 15            | <b>15</b>   | 15            |
| Lift per crank revolution mm  | 9.5             | 30.5      | 30.5          | <b>31.5</b> | 31.5          |
| Max. hand force on crank kg   | 16.5            | 12.5      | 12.5          | <b>19</b>   | 19            |

| References                    | GR1000INOX | GR1450PREMINOX | GR2000INOX | GR2750PREMINOX |
|-------------------------------|------------|----------------|------------|----------------|
| Capacity 1st layer kg         | 1450       | 1450           | 2750       | 2750           |
| Capacity top layer kg         | 1000       | 1450           | 2000       | 2570           |
| Nb of layers                  | 4          | 1              | 3          | 1              |
| Wire rope cap. 1st layer m    | 5.5        | 5              | 6          | 6              |
| Wire rope cap. top layer m    | 30         | 5              | 25         | 6              |
| Wire rope Ø mm                | 9          | 10             | 13         | 13             |
| Weight (without wire rope) kg | 44         | 44             | 83         | 83             |
| Lift per crank revolution mm  | 16         | 16             | 9.5        | 9.5            |
| Max. hand force on crank kg   | 14.5       | 14.5           | 16.5       | 16.5           |



### HUCHEZ's advice

Captive crank adjusting knob, adjustable crank handle for fast winding or otherwise, maximum capacity, release does not operate under load, highly reliable rope fastener not requiring any special tools.



HUCHEZ  
 9, Grande Rue  
 60420 FERRIERES – France  
 ☎ +33 (0) 3 44 51 11 33  
 Site internet : [www.huchez.com](http://www.huchez.com)  
 E-mail : [contact@huchez.fr](mailto:contact@huchez.fr)



**SERVICE  
 CLIENTS**

Pour en savoir plus, n'hésitez pas à nous contacter !  
*To know more, please contact us!*

