

JSS - STEEL BOTTLE JACKS



Capacities from 3 to 100 tonnes

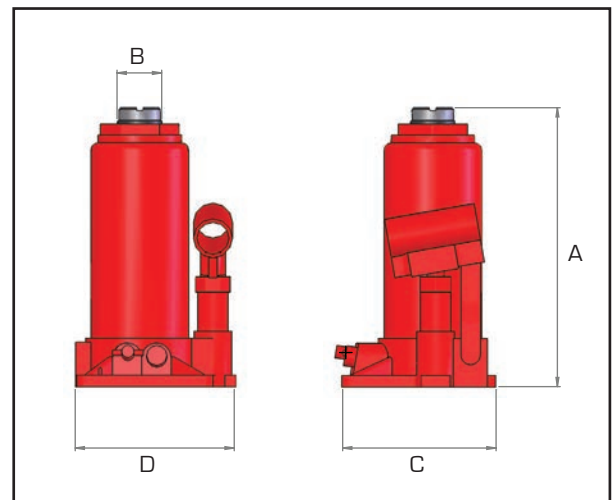
Strong rigid steel construction

Working pressure 700 Bar

E

The Hi-Force JSS range of steel bottle jacks offers capacities from 3 to 100 tonnes, with stroke lengths from 135 to 195mm. Models up to 16 tonnes capacity feature heat-treated piston rod extension with saddle, that allows for low pick-up height adjustment and maximum lift height. All models are supplied with a tubular operating lever and have a wide base for increased strength and stability during lifting.

- >> Low handle effort for easy operation
- >> Stroke lengths up to 195mm
- >> Internal safety overload valve
- >> Screw extension spans the gap between piston ram cap and load
- >> Suitable for industrial and automotive use



| Model number | Capacity tonnes | Stroke mm | Screw extension mm | Weight kg |
|----------------|-----------------|-----------|--------------------|-----------|
| JSS35 | 3 | 135 | 70 | 3.0 |
| JSS55 | 5 | 135 | 90 | 4.0 |
| JSS106 | 10 | 174 | 90 | 7.0 |
| JSS166 | 16 | 178 | 95 | 10.0 |
| JSS207 | 20 | 190 | - | 15.0 |
| JSS327 | 32 | 190 | - | 20.0 |
| JSS507 | 50 | 195 | - | 29.0 |
| JSS1007 | 100 | 195 | - | 65.0 |

| Dimensions in mm | | | |
|------------------|-----|-----|-----|
| A | B | C | D |
| 195 | 28 | 100 | 100 |
| 200 | 32 | 120 | 110 |
| 243 | 43 | 110 | 125 |
| 255 | 53 | 150 | 160 |
| 280 | 56 | 128 | 167 |
| 285 | 71 | 150 | 187 |
| 300 | 85 | 180 | 215 |
| 340 | 117 | 265 | 240 |